

4MP Vandal-resistant IR Fixed Mini Dome Camera

IPC314SR-DVPF28 (36)



Key Features

Optics

- Day/night functionality
- Smart IR, up to 15 m (49 ft) IR distance
- 3D DNR (Digital Noise Reduction)
- Up to 120 dB Optical WDR(Wide Dynamic Range)

Compression

- H.265, H.264, MJPEG
- Embedded smart algorithm
- Triple streams
- ROI (Region of Interest)

Network

- ONVIF Conformance

Structure

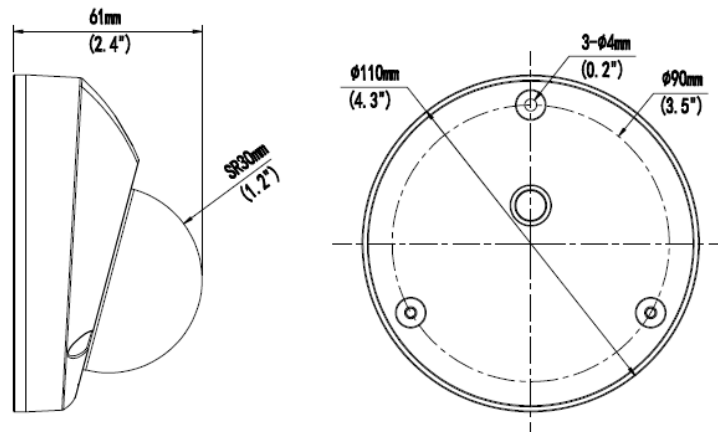
- Wide temperature range: -35°C to 60°C (-31°F to 140°F)
- Wide voltage range of $\pm 25\%$
- Built-in microphone
- IK10 vandal resistant
- IP66

Specifications

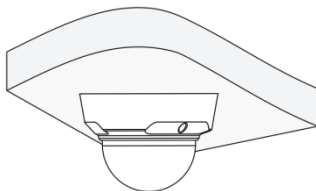
Camera	IPC314SR-DVVF28	IPC314SR-DVVF36
Sensor	1/3", 4 megapixel, progressive scan CMOS	
Lens	2.8mm@F2.0	3.6 mm@F2.0
Angle of View (H)	101.8°	76.8°
Shutter	Auto/Manual, 1/6~1/100000 s	
Min. Illumination	Colour: 0.02 Lux (F2.0, AGC ON) 0 Lux with IR	
Day/Night	IR-cut filter with auto switch (ICR)	
S/N	≥ 55 dB	
WDR	120 dB	
Video		
Max. Resolution	2592 × 1520	
Video Compression	H.265, H.264, MJPEG	
Frame Rate	4MP (2592×1520): Max. 20 fps; 4MP (2560×1440): Max. 25 fps 3MP (2048×1520): Max. 30 fps; 1080P (1920×1080): Max. 30 fps	
Video Streaming	Triple	
9:16 Corridor Mode	Supported	
ROI	Supported	
Evaluative Metering	Supported	
OSD	Up to 8 OSDs	
Privacy Mask	Up to 8 areas	
Smart		
Behavior Detection	Intrusion, crossing line, motion detection	
Exception Detection	Audio detection	
Intelligent Identification	Face detection, Defocus, Scene Change	
Statistical Analysis	People counting	
Storage		
Edge Storage	Micro SD, Up to 128 GB	
Network		
Protocols	L2TP, IPv4, IGMP, ICMP, ARP, TCP, UDP, DHCP, PPPoE, RTP, RTSP, RTCP, DNS, DDNS, NTP, FTP, UPnP, HTTP, HTTPS, SMTP, 802.1x	
Compatible Integration	ONVIF, API	
Interface		
Audio I/O	Audio cable	
	Input: impedance 35 kΩ; amplitude 2 V [p-p]	
	Output: impedance 600 Ω; amplitude 2 V [p-p]	
Built-in Mic	Supported	
Network	10M/100M Base-TX Ethernet	
General		
Power	12 V DC ± 25%, PoE (IEEE 802.3af)	
	Power consumption: 3~5W	

Dimensions (Ø x H)	Ø110 x 61 mm (Ø4.3" x 2.4")
Weight	0.25 kg (0.55 lb)
Working Environment	-35°C ~ +60°C (-31°F ~ 140°F), Humidity ≤ 95% RH(non-condensing)
Ingress Protection	IP66
Vandal Resistant	IK10

Dimensions



Installation



Ceiling mount

Accessories

Installation mode	Accessories	Description
Ceiling mount	Mounting pedestal is included in the Product package	\

Zhejiang Uniview Technologies Co., Ltd.

South Tower, Building 10, Wanlun Science Park, 88 Jiangling Road, Hangzhou, P.R.China 310051

Email: overseasbusiness@uniview.com; globalsupport@uniview.com

<http://www.uniview.com>

©2016-2017 Zhejiang Uniview Technologies Co., Ltd. All rights reserved.

*Product specifications and availability are subject to change without notice.